

A2FS-PN16 & PN40 SIZE: 1/2" ~ 4" **HOT**



STAINLESS STEEL
 AISI-316 (DIN 1.4408) (ASTM-A351-CF8M)
 AISI-304 (DIN 1.4308) (ASTM-A351-CF8)
CARBON STEEL
 S-45C (DIN 1.0619) (ASTM-A216-WCB)

FEATURES:

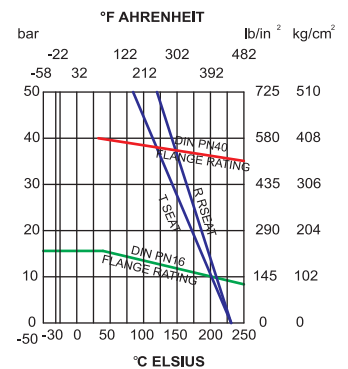
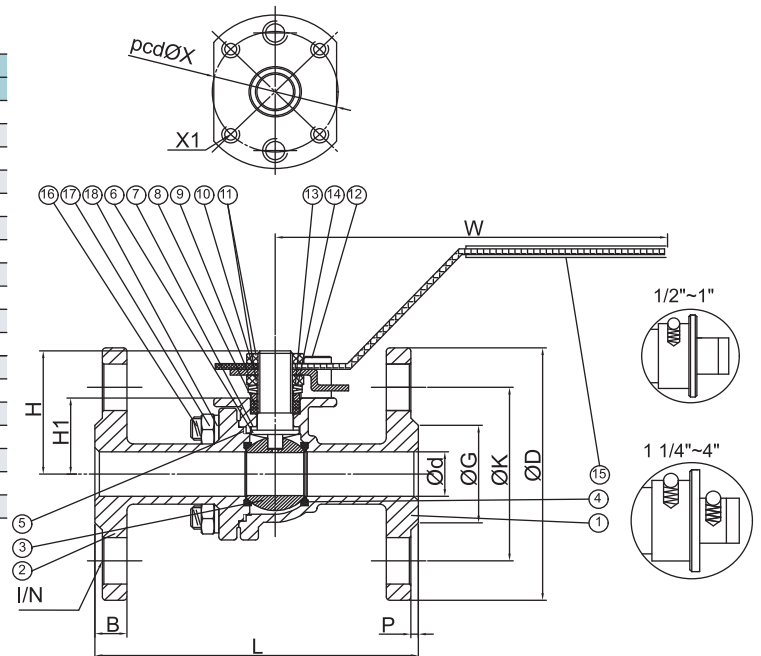
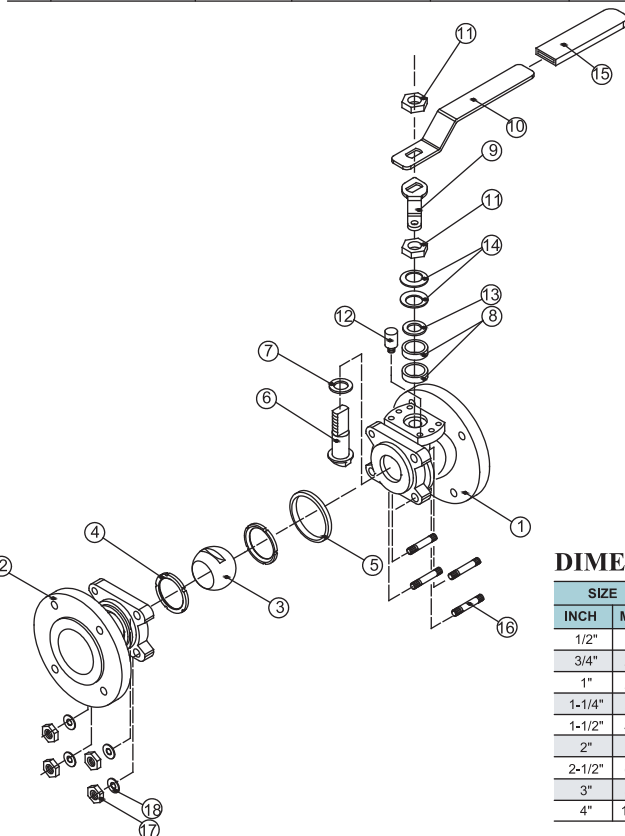
- *Flange: DIN 2633 PN16 / DIN 2635 PN40
- *Face to face: DIN 3202 F4
- *Pressure rating: PN16 / PN40
- *Investment casting body and cap
- *Blow-out proof stem
- *ISO 5211 mounting pad
- *Fire-safe design
- *Anti-static device

OPTION:

- *Solid ball: 1/2"~4"
- *Hollow ball: 2-1/2"~4"

MATERIALS LIST

ITEM	PARTS	QTY	MATERIALS		
			316	304	WCB
1	BODY	1	ASTM-A351-CF8M	ASTM-A351-CF8	ASTM-A216-WCB
2	CAP	1	ASTM-A351-CF8M	ASTM-A351-CF8	ASTM-A216-WCB
3	BALL	1	ASTM-A351-CF8M	ASTM-A351-CF8	ASTM-A351-CF8
4	BALL SEAT	2	PTFE	PTFE	PTFE
5	JOINT GASKET	1	PTFE	PTFE	PTFE
6	STEM	1	AISI 316	AISI 304	AISI 304
7	THRUST WASHER	1	PTFE	PTFE	PTFE
8	STEM PACKING	2	PTFE	PTFE	PTFE
9	STOPPER	1	AISI 304	AISI 304	AISI 304
10	HANDLE	1	AISI 430	AISI 430	AISI 430
11	NUT	2	AISI 304	AISI 304	AISI 304
12	STOP PIN	1	AISI 304	AISI 304	AISI 304
13	STEM RING	1	AISI 304	AISI 304	AISI 304
14	BELLEVILLE WASHER	2	AISI 304	AISI 304	AISI 304
15	PLASTIC COVER	1	PLASTIC	PLASTIC	PLASTIC
16	BOLT	1/2"~2" x 4	AISI 304	AISI 304	AISI 304
17	NUT	2-1/2"~3" x 6	AISI 304	AISI 304	AISI 304
18	SPRING WASHER	4" x 8	AISI 304	AISI 304	AISI 304



DIMENSIONS

SIZE		DIN-PN16					DIN-PN40					P	L	H	H1	W	X	X1	
INCH	MM	D	K	G	B	I/N	D	K	G	B	I/N								
1/2"	15	15.5	95	65	45	14	14/4	95	65	45	16	14/4	2.0	115	26.5	16.45	130	42	M5
3/4"	20	20.5	105	75	58	16	14/4	105	75	58	18	14/4	2.0	120	30.1	17.2	130	42	M5
1"	25	25.5	115	85	68	16	14/4	115	85	68	18	14/4	2.0	125	35.25	23.3	160	50	M6
1-1/4"	32	32.5	140	100	78	16	18/4	140	100	78	18	18/4	2.0	130	40.8	23.3	160	50	M6
1-1/2"	40	38.5	150	110	88	16	18/4	150	110	88	18	18/4	3.0	140	48	30.2	200	70	M8
2"	50	50.6	165	125	102	18	18/4	165	125	102	20	18/4	3.0	150	56.5	30.2	200	70	M8
2-1/2"	65	65	185	145	122	18	18/4	170	145	122	20	18/4	3.0	170	74.5	29.7	220	70	M8
3"	80	80.5	200	160	138	20	18/8	180	160	138	20	18/8	3.0	180	86	39.6	260	102	M10
													3.0	190	107.75	38.1	260	102	M10
4"	100	100	220	180	158	20	18/8	190	180	158	20	18/8	3.0	190	107.75	38.1	260	102	M10

UNIT:mm